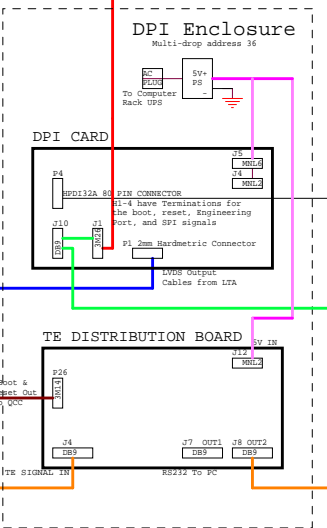
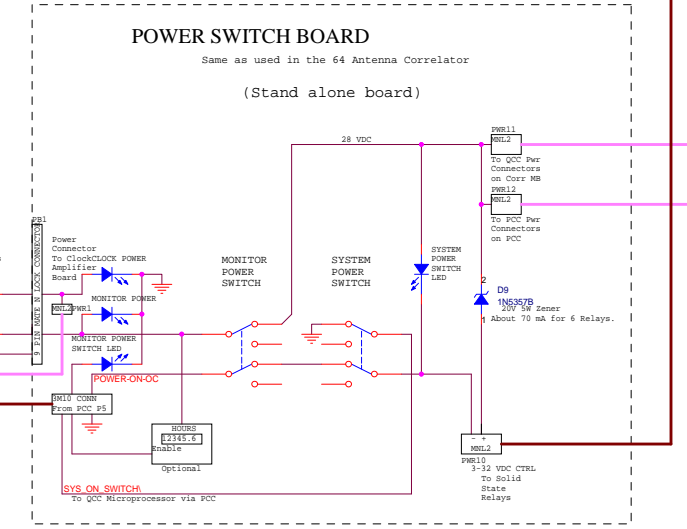
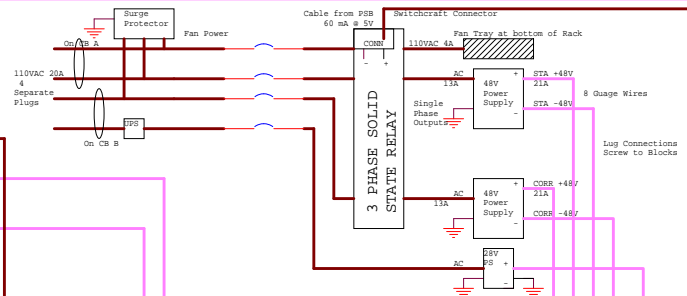
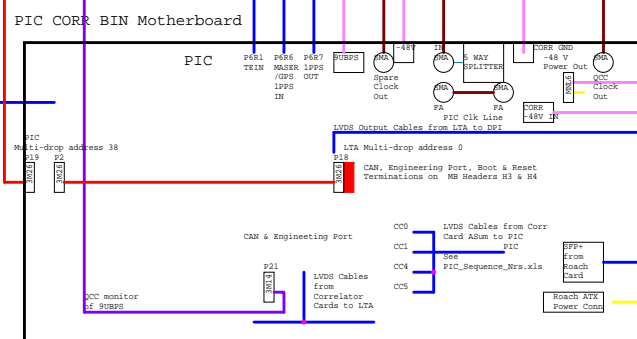
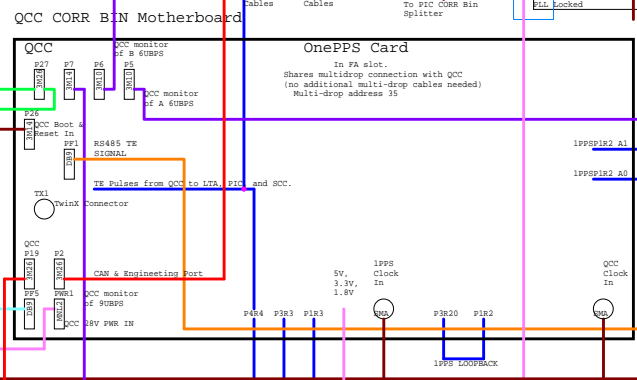
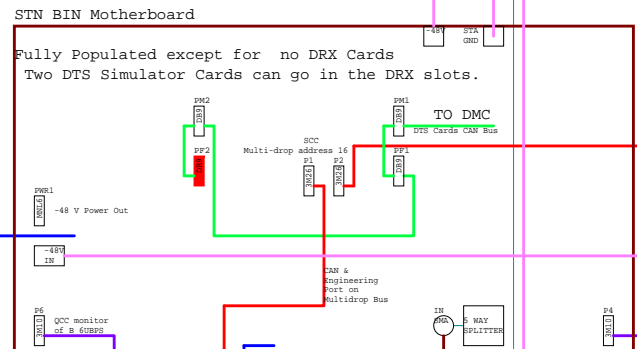
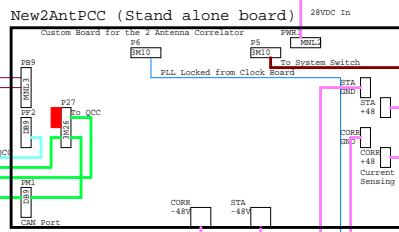


PIC TEST FIXTURE RACK
Have Ground Braids between the bins.



- Fan power cables
- Power
- RS232 cable
- Multi drop bus. Includes CAN, QCC controlled Boot and Reset Lines, Engineering Port, and SPI signals.
- CAN cable
- QCC Analog monitor cable
- LVDS Cables
Defined in document 2-Antenna Correlator Internal Fiber and LVDS Cable Routing List CORL-63.00.00-013-A-LIS
- Fiber Optic Data Cables
Defined in document 2-Antenna Correlator Internal Fiber and LVDS Cable Routing List CORL-63.00.00-013-A-LIS
- TE related Cables
- Miscellaneous Signals
- █ CAN TERMINATION

MNL# is a MateNLock Connector of # pins

CCC CAN channel 3

Engineer port computer

LVDS Cables from the Station Interface Cards to the Correlator Interface Cards

4 CC, 8 CI, 1 9UBPS, 1 LTA, 1 PIC

PREPARED BY: J. GREENBERG
APPROVED BY: R. LACASSE A. BAUDRY
RELEASED BY: R. LACASSE
ALMA CORRELATOR PROJECT NATIONAL RADIO ASTRONOMY OBSERVATORY CHARLOTTEVILLE, VA
File PIC Test Fixture System Diagram
Size D Document Number CORL-63.00.00-012-A-DWG
Date: Friday, April 11, 2014 Sheet 1 of 1