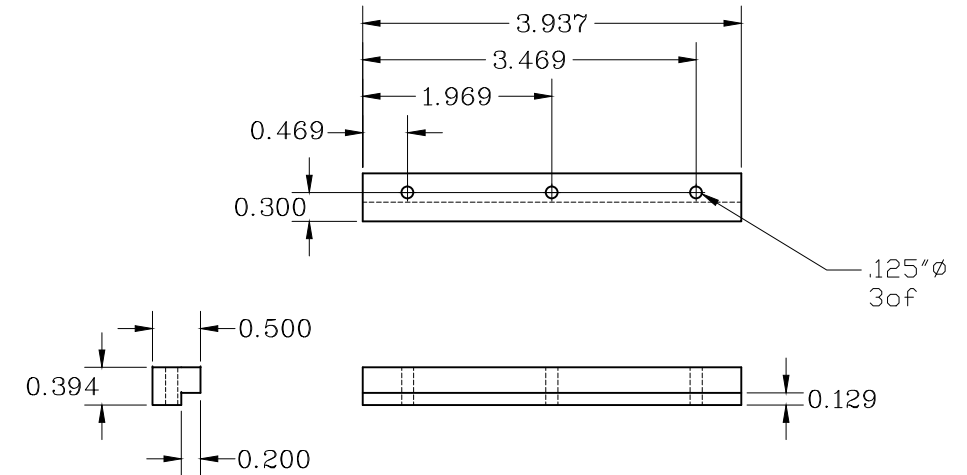
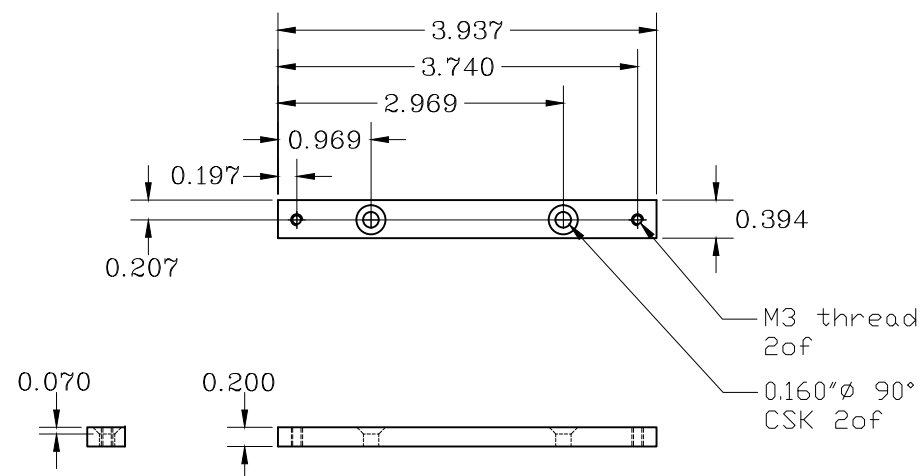


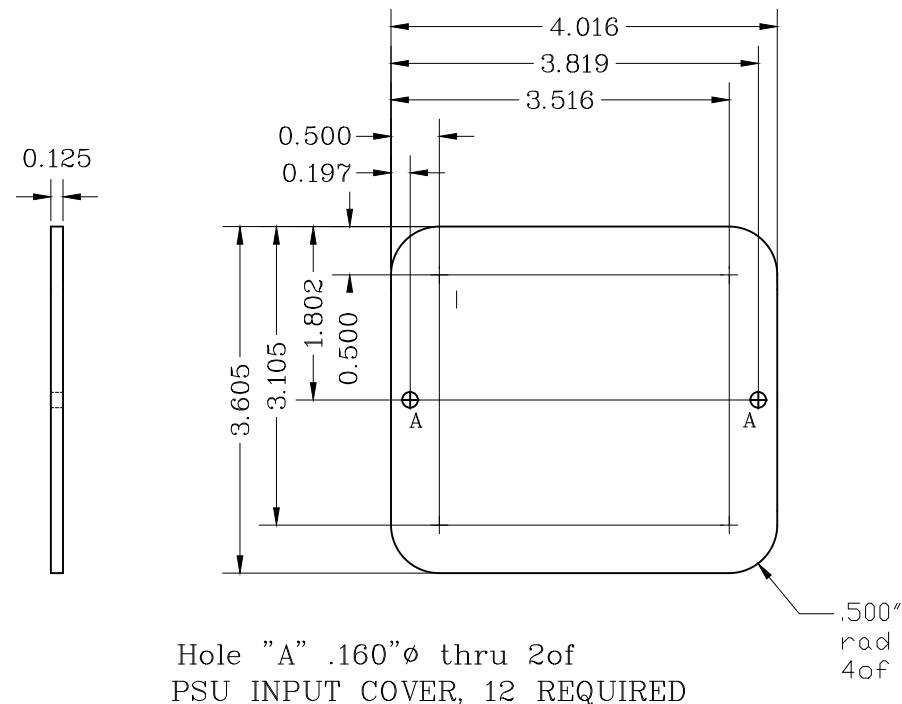
PSU PANEL MOUNTING BRACKET, 12 REQUIRED



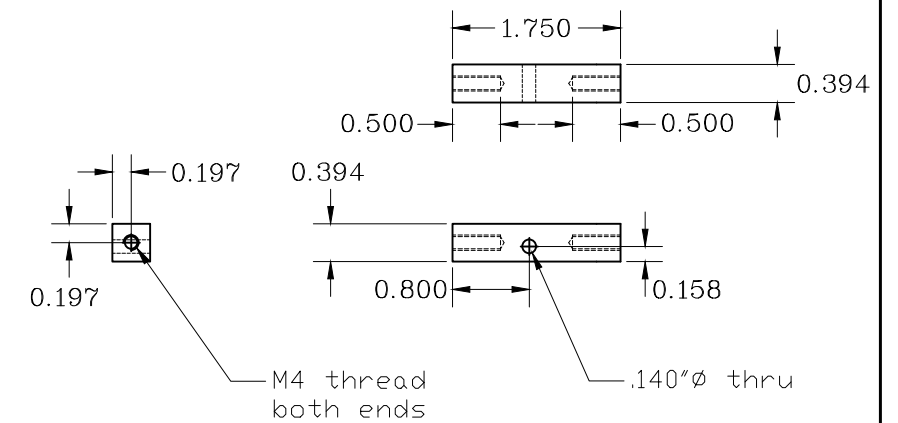
PSU LOWER RETAINING BRACKET, 12 REQUIRED



PSU SPACER, 12 REQUIRED



Hole "A" .160" ϕ thru 2of
PSU INPUT COVER, 12 REQUIRED



PSU VERTICAL MOUNT, 24 REQUIRED

ALMA-05.11.34.11-0002-A-DWG		NATIONAL RADIO ASTRONOMY OBSERVATORY	
Prepared by:		CHARLOTTESVILLE, VA. 22903	
Names: and Signatures:		Organization	Date
		NRAO	10/2/14
Approved by:		TITLE	
Names: and Signatures:		ATX PSU PANEL BRACKETS	
		PROJECT	
		PIC Phasing project # 2314	
DESIGN	L Platt	6/24/13	FILE
DRAWN	L Platt	6/24/13	ATX_BRACKETS.dwg
APPRV			MATERIAL
			Aluminum
			FINISH
			Yellow Chromate
SHEET	2 of 2		Dim in inches with M3,M4 metric threads
SCALE	SIZE	DWG.	REV