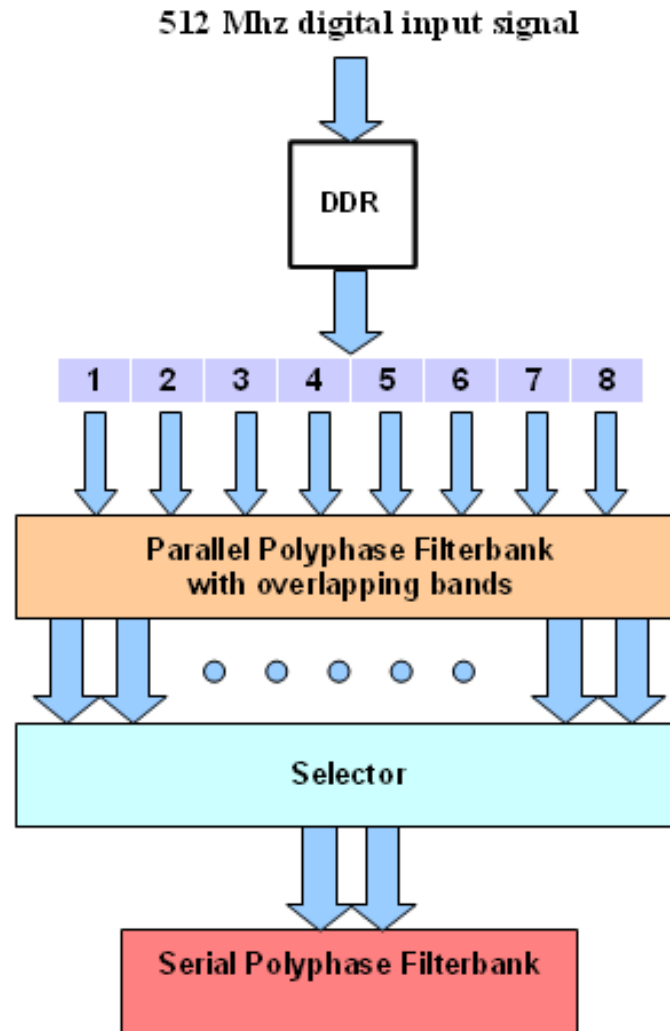
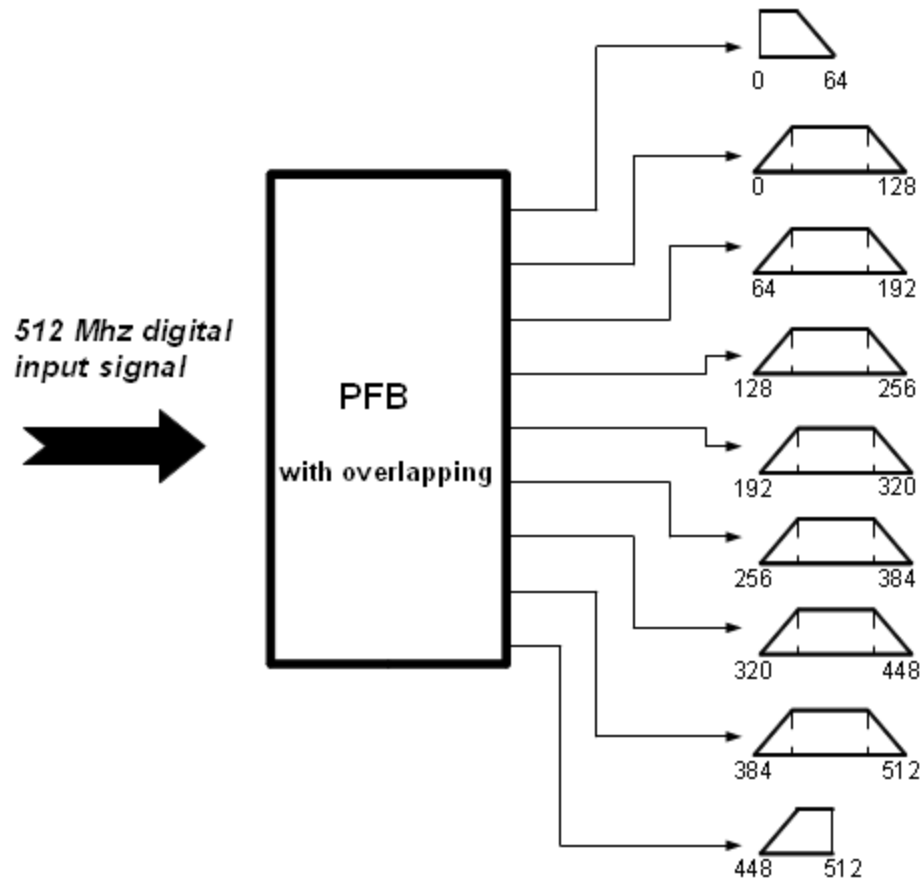


FFT Scanning Spectrometer for the DBBC2

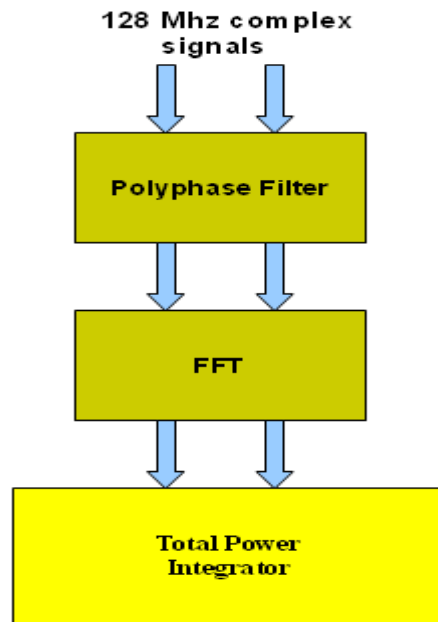
Block Diagram



Parallel Polyphase Filterbank with overlapping bands



Serial Polyphase Filterbank



- The flat bands of each sub-bands are achieved automatically
- Programmable integration time
- 32768 channels for the entire input bandwidth